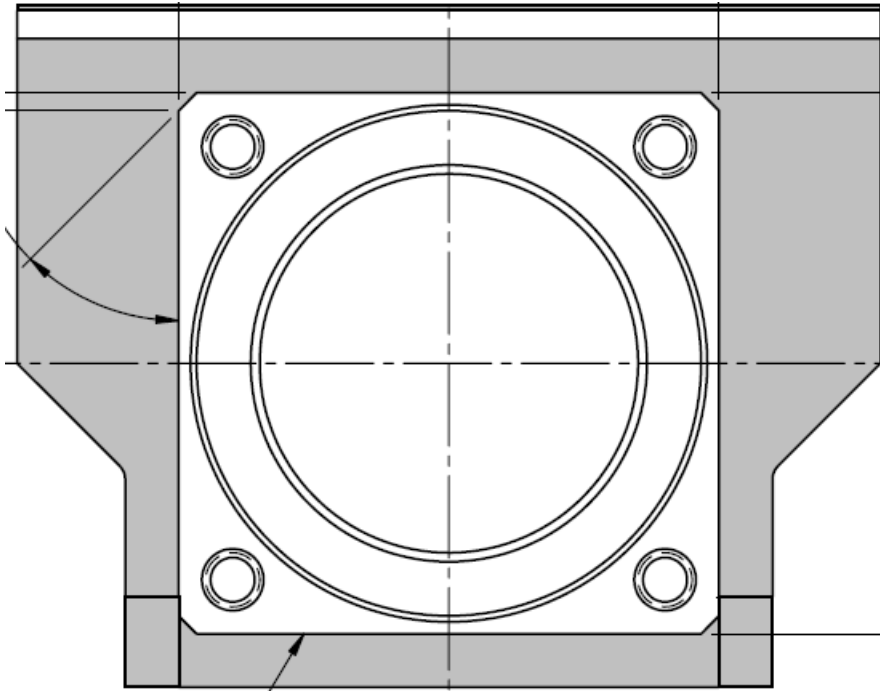


EXAMPLE MASKING DRAWING

In this example, areas to mask are
shown in blue



BLASTED AND COATED AREAS SHOWN IAW

CUSTOMER DRAWING XXXXXX – NOTE X

BLUE – UNMASKED / BLASTED & COATED

WHITE – MASKED & UNCOATED